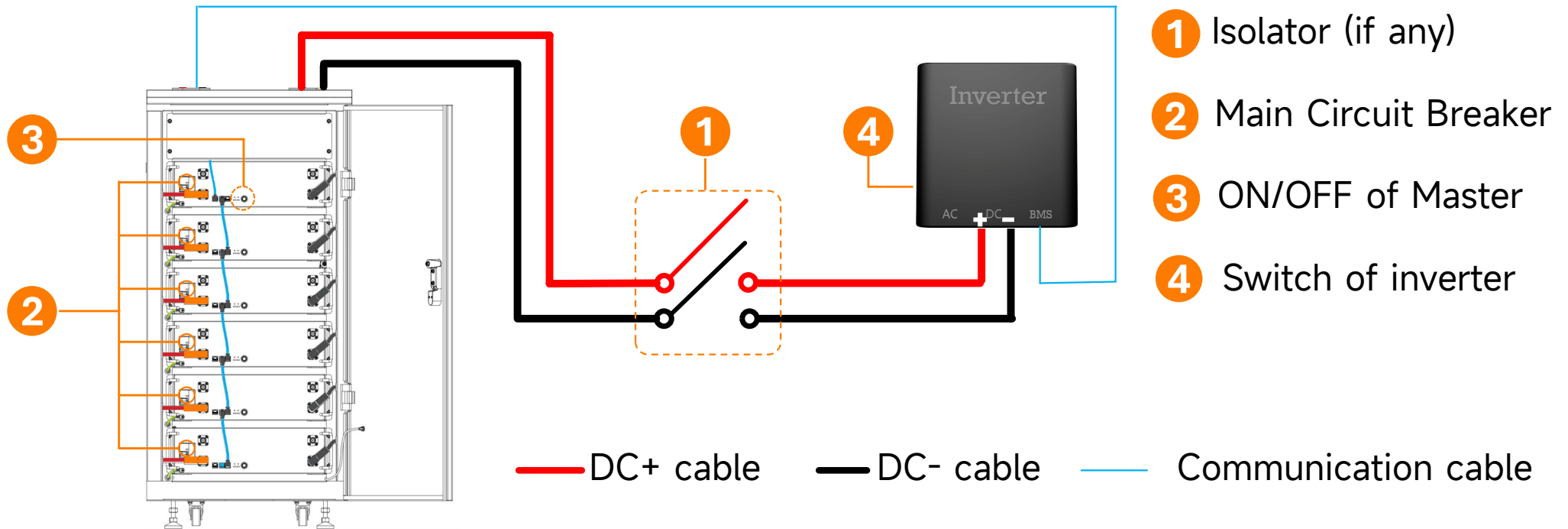


System Start Up & Shutdown for SIMPO 5000



MUST turn on the **isolator** (if any) first before powering the battery on.



System Start Up

1 → **2** → **3** → **4**

System Shutdown

4 → **1** → **3**